

Sub: Engineering Drawing
Time: 2 Hr

Date: 12/05/2017
Max.Marks: 30M

1. Draw the projections of a line of length 75, when one end of the line is 10 above HP and 20 in front of VP. The line is inclined at 45 degrees to HP and inclined at 30 degrees to VP.

Marks :10	Unit : 3	CO: C113.1	C.L:Understand
-----------	----------	------------	----------------

(OR)

2. A hexagon of 45 side has its one corner on H.P and the surface of the plane is perpendicular to VP and inclined at 45 degrees to HP. Draw the projections of the plane.

Marks :10	Unit : 3	CO: C113.1	C.L:Understand
-----------	----------	------------	----------------

3. A Hexagonal pyramid side of base 30mm & axis 60mm long rests with its base on HP & one of the edges of its base is \perp lar to VP. Draw its top & front views.

Marks :10	Unit : 4	CO: C113.1	C.L:Understand
-----------	----------	------------	----------------

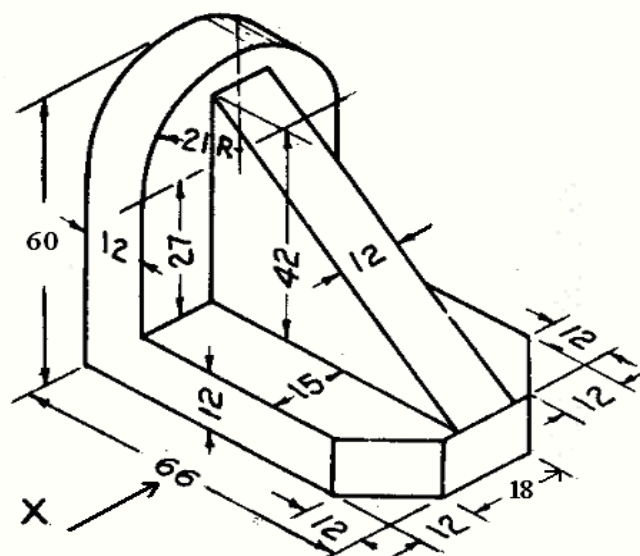
(OR)

4. Draw the development of cone of base 50mm dia & axis 65mm long. Draw also the front and top views.

Marks :10	Unit : 4	CO: C113.1	C.L:Understand
-----------	----------	------------	----------------

5. Draw the elevation, plan and right side view of the part shown in figure

Marks :10	Unit : 5	CO: C113.1	C.L:Understand
-----------	----------	------------	----------------



(OR)

6. Draw the isometric view of a cylinder of base dia 40 and height 100 in Horizontal position

Marks :10	Unit : 5	CO: C113.1	C.L:Understand
-----------	----------	------------	----------------

Sub: Engineering Drawing
Time: 2 Hr

Date: 12/05/2017
Max.Marks: 30M

1. A line AB of 70mm long, has its end A at 10mm above H.P. and 15mm in front of V.P. Its front view and top view measure 50mm and 60mm respectively. Draw the projections of the line and determine its inclinations with H.P. and V.P

Marks :10	Unit : 3	CO: C113.1	C.L:Understand
-----------	----------	------------	----------------

(OR)

2. A hexagon of 45 side has its one corner on H.P and the surface of the plane is perpendicular to VP and inclined at 45 degrees to HP. Draw the projections of the plane

Marks :10	Unit : 3	CO: C113.1	C.L:Understand
-----------	----------	------------	----------------

3. Draw the development of cylinder of base 50mm dia & axis 65mm long Draw also the front and top views

Marks :10	Unit : 4	CO: C113.1	C.L:Understand
-----------	----------	------------	----------------

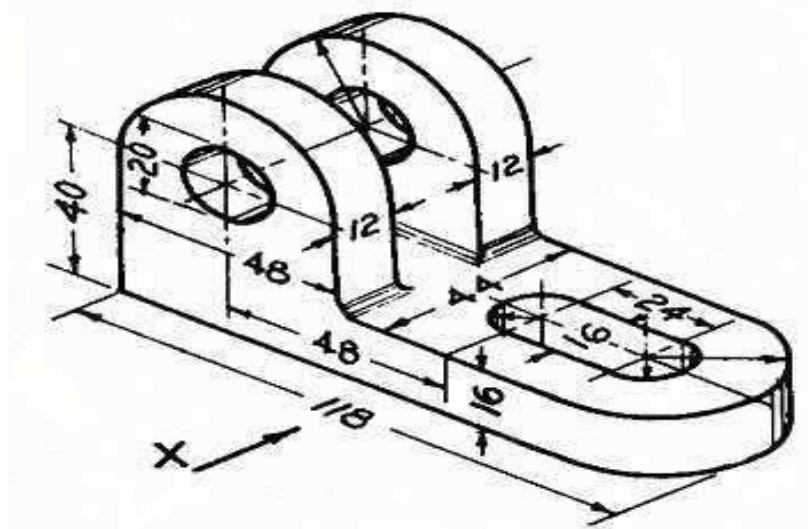
(OR)

4. A cylinder base 35mm dia & axis 60mm long lies with one of its generators on HP such that its axis is parallel to both HP & VP. Draw its projections

Marks :10	Unit : 4	CO: C113.1	C.L:Understand
-----------	----------	------------	----------------

5. Draw the elevation, plan and right side view of the part shown in figure.

Marks :10	Unit : 5	CO: C113.1	C.L:Understand
-----------	----------	------------	----------------



(OR)

6. Draw the isometric view of a cube of side 40

Marks :10	Unit : 5	CO: C113.1	C.L:Understand
-----------	----------	------------	----------------

Sub: Engineering Drawing

Date: 12/05/2017

Time: 2 Hr

Max.Marks: 30M

1. The distance between the end projectors of a line AB is 50 mm. Point A is 15 mm above HP and 10 mm in front of VP. Point B is 40 mm above HP and 40 mm in front of VP. Find the true length of the line AB, the inclinations of the line AB with HP and VP.

Marks :10	Unit : 3	CO: C113.1	C.L:Understand
-----------	----------	------------	----------------

(OR)

2. Draw the projections of a circle of 5cm diameter, having its plane vertical and inclined at 30° to the V.P. Its centre is 3cm above the H.P. and 2cm in front of the V.P

Marks :10	Unit : 3	CO: C113.1	C.L:Understand
-----------	----------	------------	----------------

3. A pentagonal pyramid side of base 30mm & axis 60mm long rests with its base on HP & one of the edges of its base is \perp lar to VP. Draw its top & front views.

Marks :10	Unit : 4	CO: C113.1	C.L:Understand
-----------	----------	------------	----------------

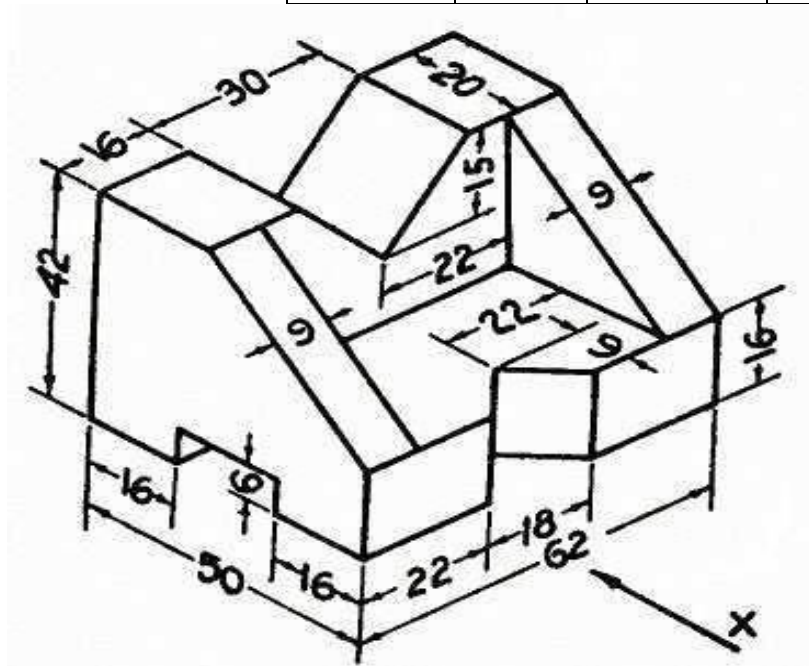
(OR)

4. Draw the development of Square prism of base 50mm & axis 75mm long Draw also the front and top views.

Marks :10	Unit : 4	CO: C113.1	C.L:Understand
-----------	----------	------------	----------------

5. Draw the elevation, plan and right side view of the part shown in figure.

Marks :10	Unit : 5	CO: C113.1	C.L:Understand
-----------	----------	------------	----------------



(OR)

6. Draw the isometric projection of a pentagon plane of side 30 in Horizontal position and vertical position

Marks :10	Unit : 5	CO: C113.1	C.L:Understand
-----------	----------	------------	----------------

Sub: Engineering Drawing
Time: 2 Hr

Date: 12/05/2017
Max.Marks: 30M

1. a) A line AB 50mm long is in VP and inclined at an angle of 35° to HP. The end 'A' is 10mm above HP. Draw the projections

Marks :5	Unit : 3	CO: C113.1	C.L:Understand
----------	----------	------------	----------------

b) A 100mm long line is parallel to and 40mm above the H.P. Its two ends are 25mm and 50mm in front of the V.P. respectively. Draw its projections and find its inclination with the V.P.

Marks :5	Unit : 3	CO: C113.1	C.L:Understand
----------	----------	------------	----------------

(OR)

2. A regular pentagon of 30 side is resting on one of its edges on HP . The surface is inclined at 30 degrees with HP. Draw the projections of the plane

Marks :10	Unit : 3	CO: C113.1	C.L:Understand
-----------	----------	------------	----------------

3. A triangular pyramid side of base 30mm & axis 60mm long rests with its base on HP & one of the edges of its base is ⊥lar to VP. Draw its top & front views

Marks :10	Unit : 4	CO: C113.1	C.L:Understand
-----------	----------	------------	----------------

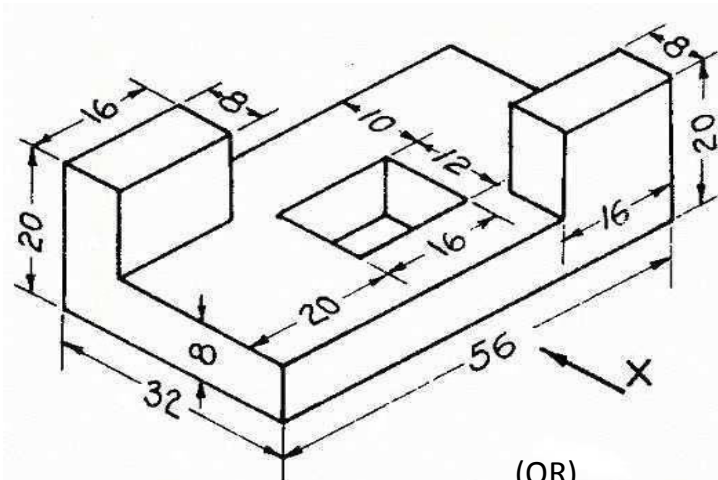
(OR)

4. Draw the development of triangular pyramid side of base 30mm & axis 60mm long . Draw also the front and top views.

Marks :10	Unit : 4	CO: C113.1	C.L:Understand
-----------	----------	------------	----------------

5. Draw the elevation, plan and right side view of the part shown in figure.

Marks :10	Unit : 5	CO: C113.1	C.L:Understand
-----------	----------	------------	----------------



6. Draw the isometric view of a cone of base dia 50 and axis 60 long in horizontal position.

Marks :10	Unit : 5	CO: C113.1	C.L:Understand
-----------	----------	------------	----------------